

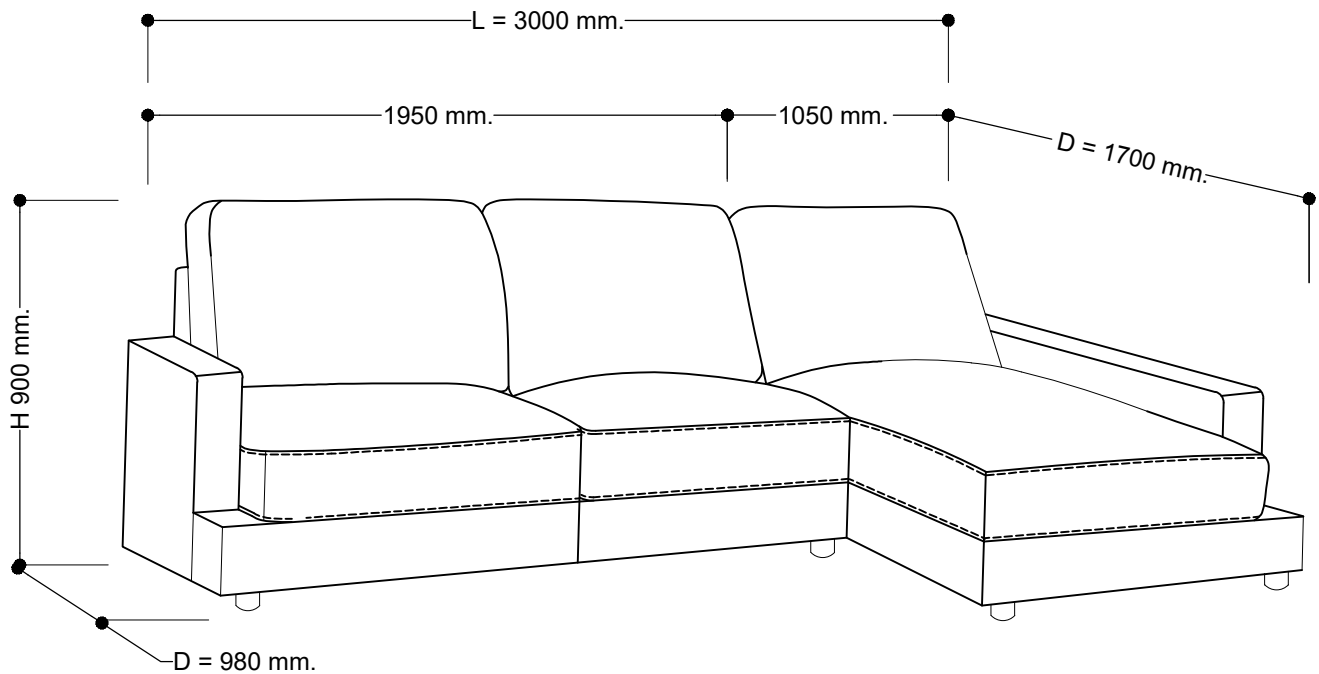


ASSEMBLY INSTRUCTION

LIESL 2.0 FABRIC - 3S SOFA WITH RHF CHAISE

ITEM CODE : 86323

Imported by Amart Furniture Pty Ltd, Qld, Brisbane Australia.
For any assistance with assembly or for missing parts please phone
Amart Furniture, Customer Service Free call 1800 351 084





Imported by Amart Furniture Pty Ltd, Qld, Brisbane Australia.
For any assistance with assembly or for missing parts please phone
Amart Furniture, Customer Service Free call 1800 351 084

PRE-ASSEMBLY PREPARATION

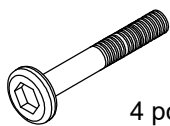
Before you start :

1. Choose a clean, level, spacious assembly area. Avoid hard surfaces that may damage the product.
2. Take care when lifting. Product should be assembled as near as possible to the point of use.
3. Ensure that you have all required contents for complete assembly.
4. Always read the assembly instructions carefully before beginning assembly.
5. Keep all hardware parts and packaging out of reach of small children.
6. Do not over-tighten the screws bolts as this may damage the threads.

	
ALLOW 20 MINUTES	2 PEOPLE REQUIRED

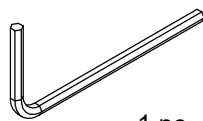
PARTS LIST

A : BOLT M8 x 65 mm



4 pcs.

B : Hexagon key M5



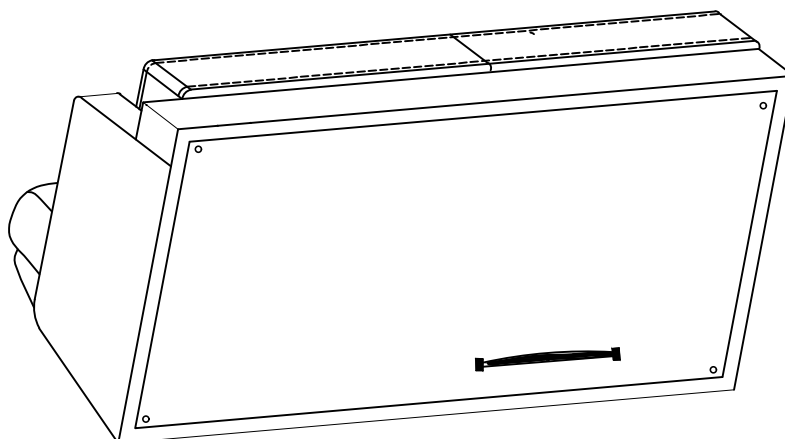
1 pc.

C : FEET

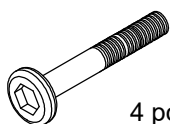


4 pcs.

① : 2 SEATER 1 ARM

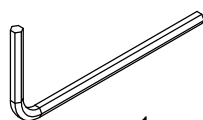


A : BOLT M8 x 65 mm



4 pcs.

B : Hexagon key M5



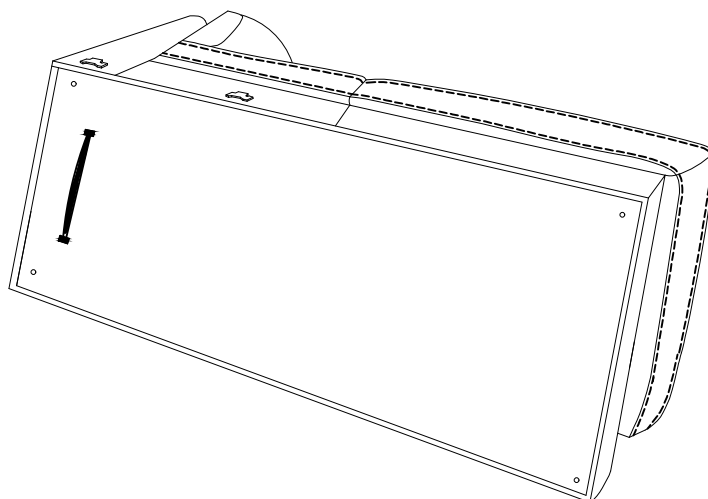
1 pc.

C : FEET

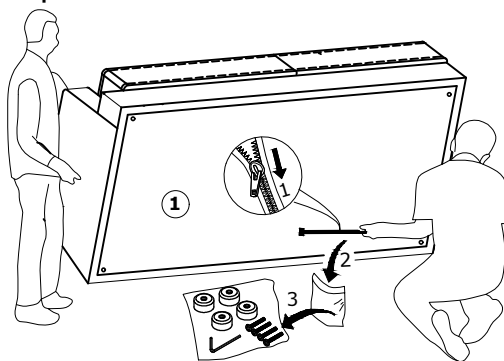


4 pcs.

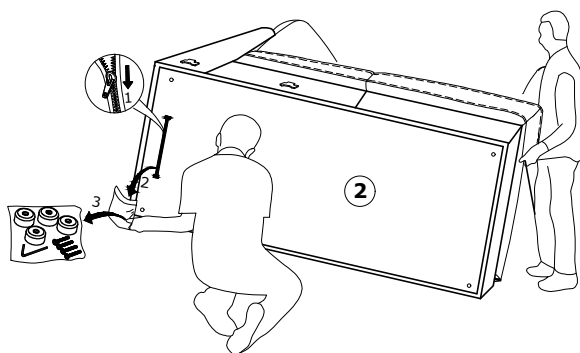
② : RHF CHAISE



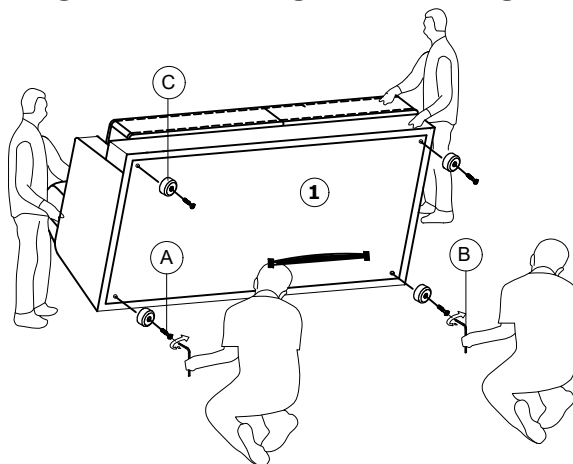
STEP 1 : "With 2 people, carefully turn the lounge over onto a sheet or piece of cardboard. Unzip and remove the parts from the dust cover underneath Sofa 1."



STEP 2 : "With 2 people, carefully turn the lounge over onto a sheet or piece of cardboard. Unzip and remove the parts from the dust cover underneath Sofa 2."

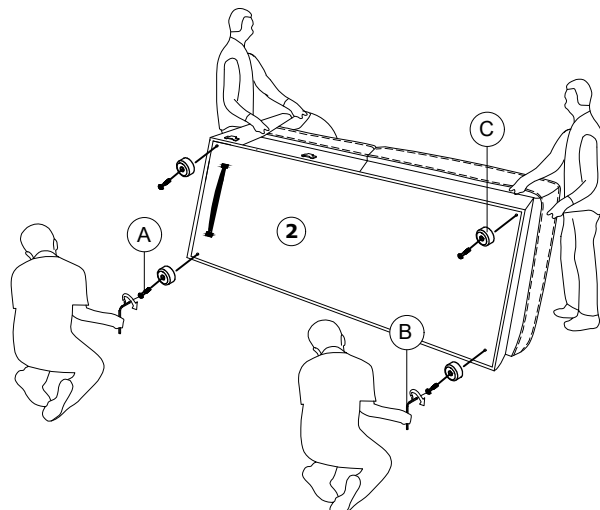


STEP 3 : Tighten the feet (C) to the sofa (1) with bolts (A) with tool (B)



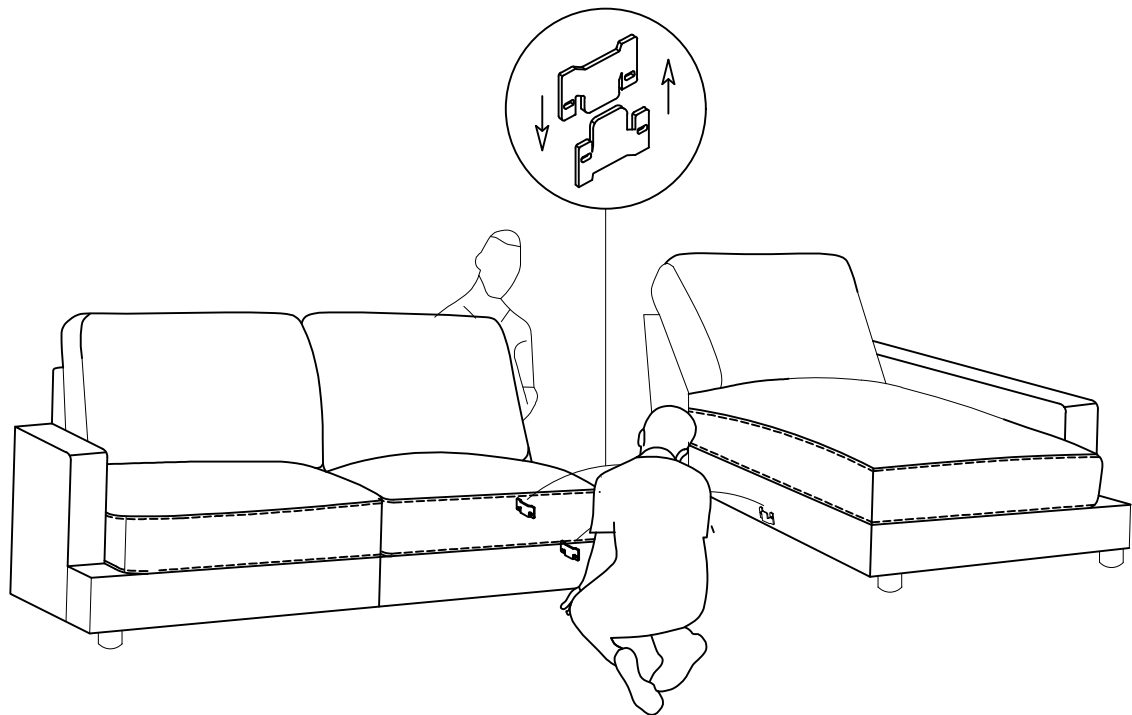
With 2 People Carefully Turn Sofa Back Over

STEP 4 : Tighten the feet (C) to the sofa (2) with bolts (A) with tool (B)

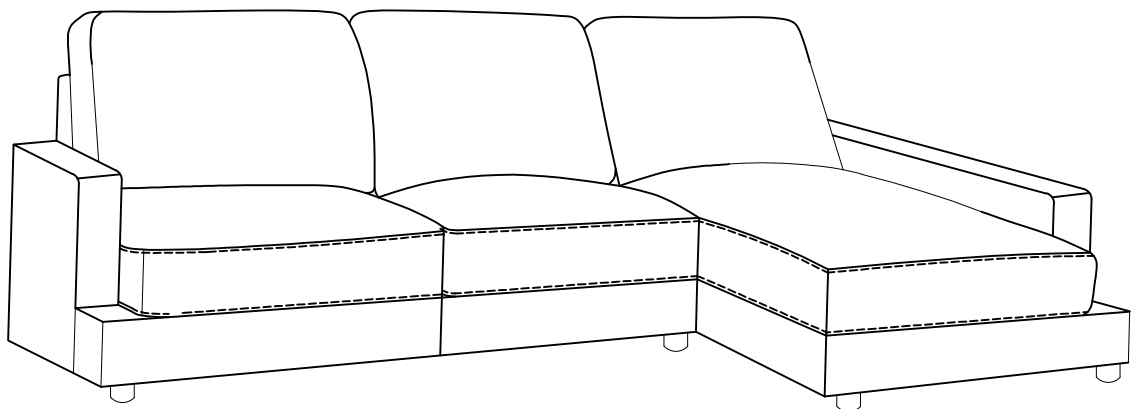


With 2 People Carefully Turn Sofa Back Over

STEP 5 : Attach the chaise to the sofa with the connectors.



STEP 6 : Assembly is complete.



Product Care for Fabric Items

REGULAR CARE:

- Protect from direct sunlight
- Vacuum regularly using low suction
- Rotate reversible cushions regularly
- Avoid exposure to new clothing, cushions or throws as this may lead to dye transfer and permanent staining

CLEANING:

- Do not remove cushion covers for separate cleaning even though they may have zippers
- Do not wash, Do not dry clean, Do not shampoo clean
- Clean only with hot water extraction machine. Professional cleaning recommended
- Do not use dishwashing liquid or laundry detergent. Use only upholstery detergents
- Do not wet filling
- Dry in shade away from direct heat and sunlight
- Allow to dry thoroughly before re-use

SPOT CLEANING:

- Do not rub
- Do not spot clean with any solvent
- Treat spills and stains as soon as possible
- Gently scrape off any soil or blot any liquid from the surface of the fabric before applying cleaner
- Apply proprietary cleaning agents strictly according to instructions to remove the residue of the spill
- Do not saturate the fabric or interior with water or other cleaning liquids

WARNING:

Apply only water-based soil resist (fabric protection) treatments. Do not use aerosol products

* PILLING IS NOT A FABRIC DEFECT OR FAULT AND IS NOT COVERED BY WARRANTY

* PILLING IS A NORMAL OCCURRENCE IN WOVEN FABRICS AND DOES NOT AFFECT THE DURABILITY OR FUNCTIONALITY OF THE FABRIC. IT IS EASILY REMOVED BY USE OF A BATTERY OPERATED DE-PILLING MACHINE AS THE NEED ARISES